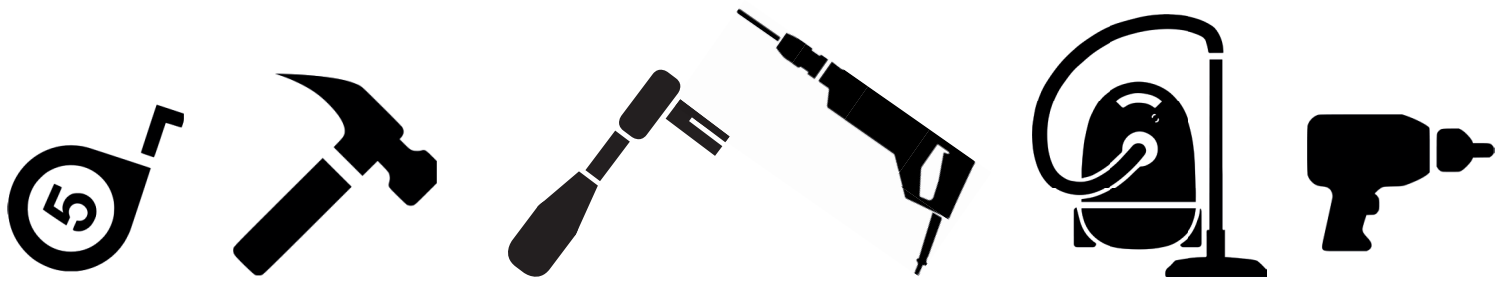
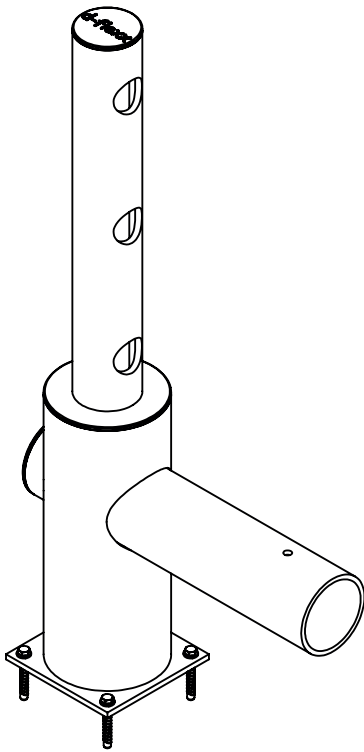




d-flexx  
**Echo**



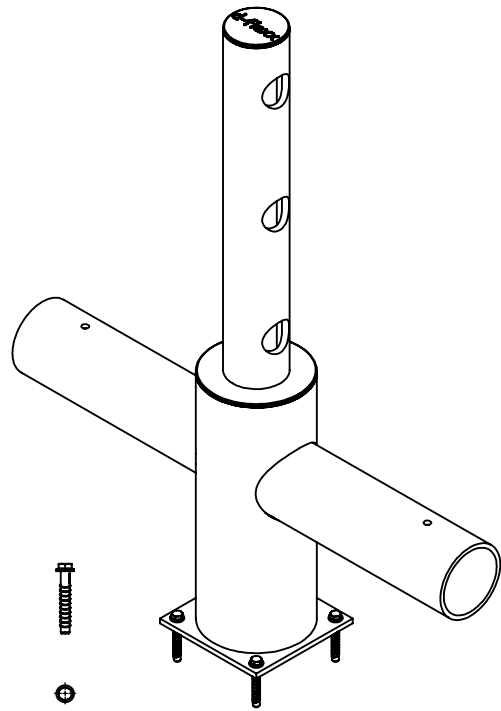
DFVB+E



747.27-1



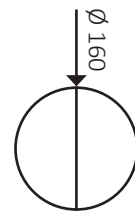
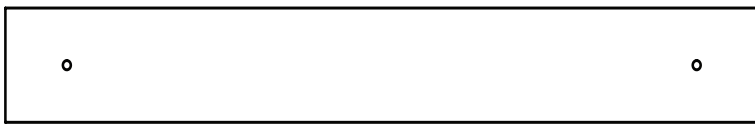
DFVB+M



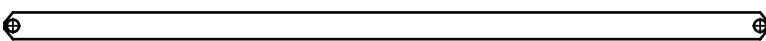
747.27-1



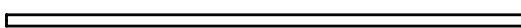
DFVB-R & DFVB-I



71040 x 1



72040 x 3



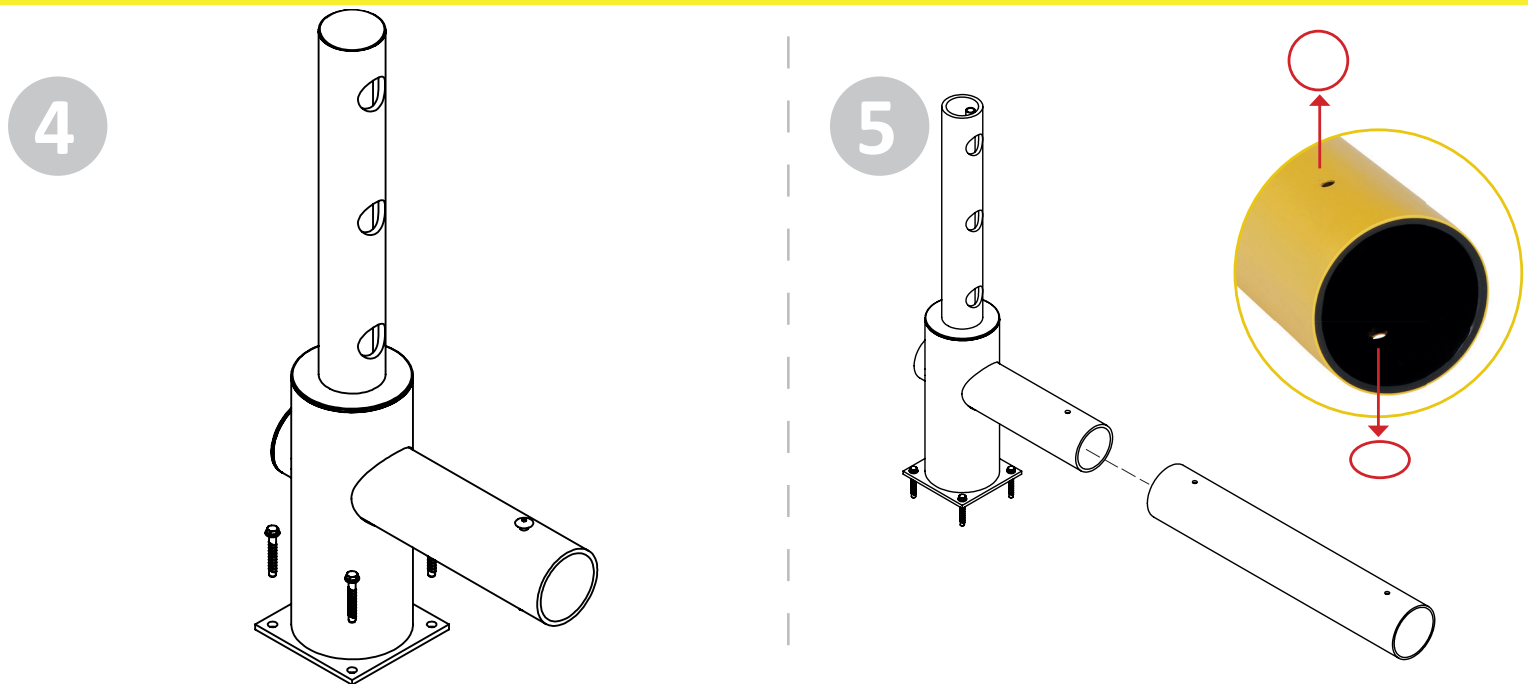
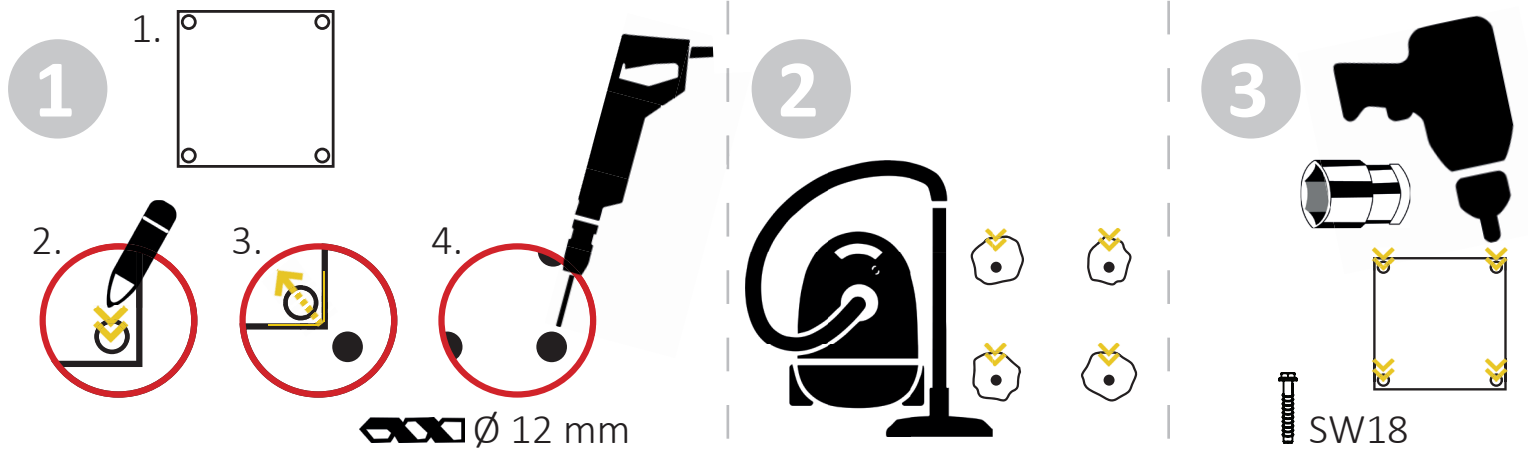
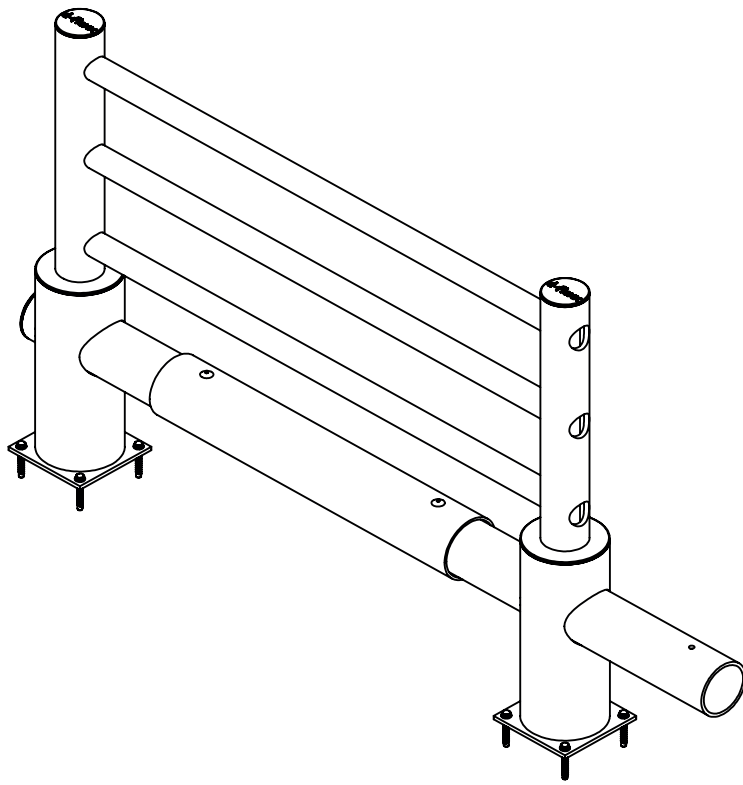
901.01-5 x 2



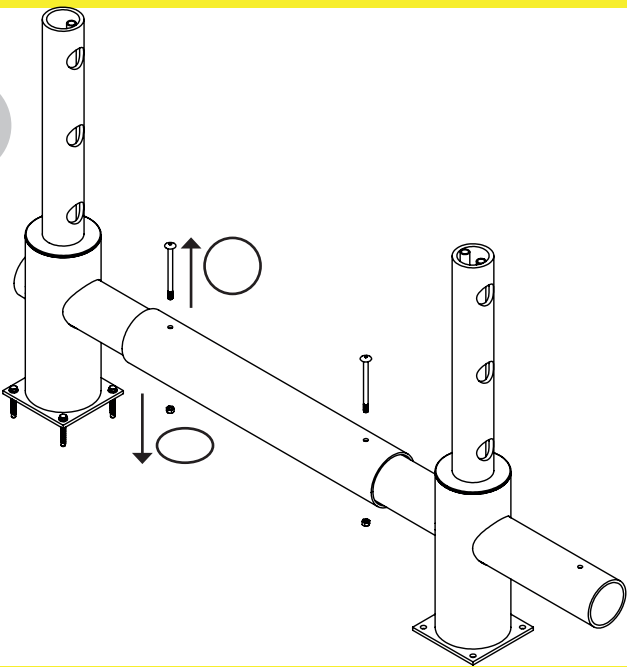
71031 x 2



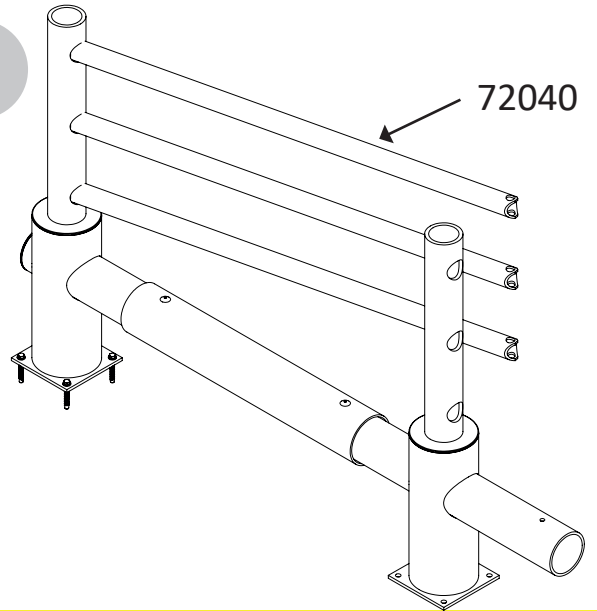
71032 x 2



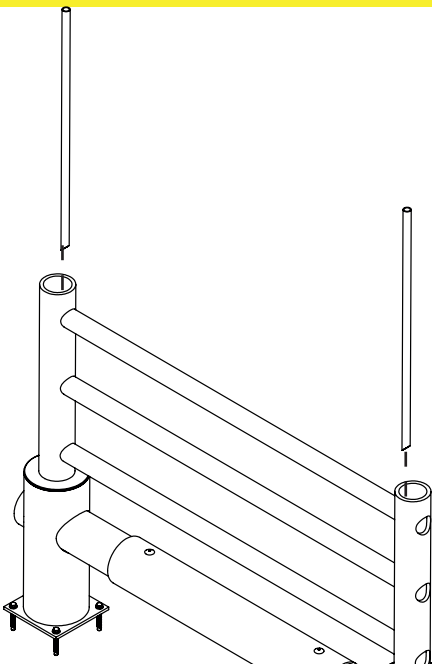
6



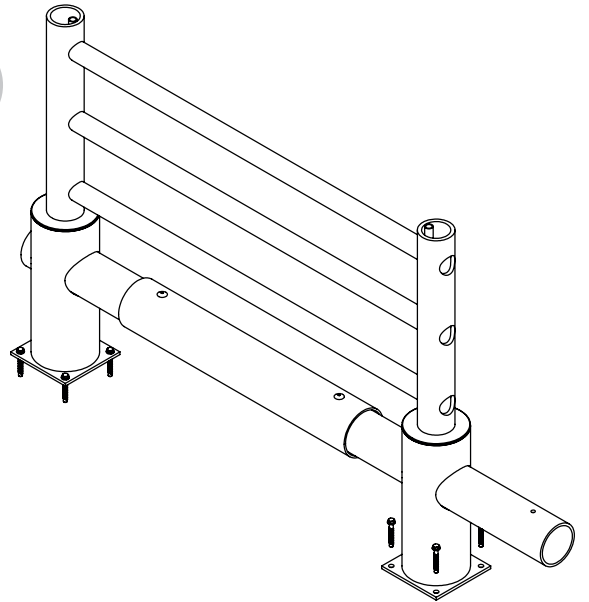
7



8



9



10

